

# Guided type fall arrester system on flexible anchorage line 10 METERS

**TECHNICAL SPECIFICATION**

**HEIGHT SAFETY**

Guided type fall arrester system with a 12 mm diameter kernmantle rope anchorage line with a non openable stainless steel rope grab equipped with an energy absorber.

**FAR0810**

## CHARACTERISTICS

The fall arrest system comprises one kernmantle rope anchorage line, diameter 12 mm, with a non openable stainless steel rope grab equipped with an energy absorber and a connector on it.

The rope grab moves along with the user climbing up or down and locks in case of a fall.

The anchorage line has one side one connector and the other side is fold back and stitched 10cm.

One connector is also provided on the rope grab.

Connectors are 2 screw gate connectors in alloy steel. Gate opening 18mm. Conforms to EN362:2004 class B & M.

System strength: >15 kN

## ANCHORAGE LINE

Material: Kernmantle rope with black and red tracer

Diameter: 12 mm

## ROPE GRAB

Material: Stainless steel

## DIMENSIONS

Length: 10 meters

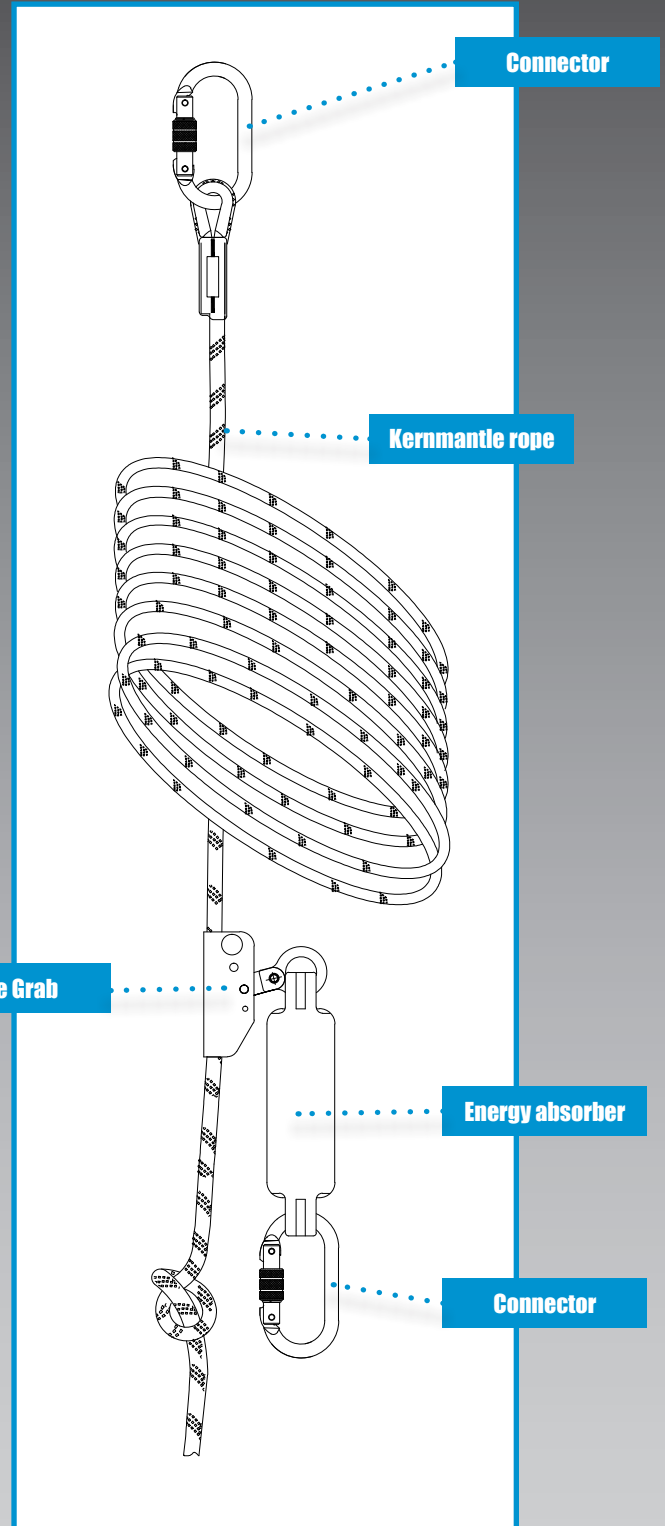
Weight: 2110 g (+- 10 g) rope grab, energy absorber and connectors

## CLEANING & MAINTENANCE

If the product becomes damaged, it will NOT provide the optimum level of protection, and therefore it should be immediately replaced or repaired. Never use the damaged product.

Proper maintenance of the equipment is essential for its successful performance. Regular cleaning is essential. In case of minor soiling, wipe with cotton cloth or soft brush. Do not use abrasive material. For intensive cleaning, it can be washed with water using neutral detergents (pH7). Do not use acid or basic detergents. Strictly follows the cleaning procedure as mentioned.

If the fall arrester becomes wet, it should be allowed to dry naturally & kept away from direct heat.



## CONFORMITY

EN 353-2: 2002

The lifespan of the product is 10 years from the date of manufacture subject to passing necessary checks and inspection by a competent person.

DISCLAIMER: Information presented within this technical specification was correct on date of issue. Information may be subject to change without notice as part of ongoing product improvement and development. To confirm any specific piece of information shown is current please email technical@jpsafety.com.



**MANUFACTURING FOR SAFETY**  
**WWW.JPSAFETY.COM**

**UKSALES@JSP.CO.UK**  
**TEL: +44 (0)1993 826050**



Issued 09/12/2019-1