

# Self Retractable Lifeline

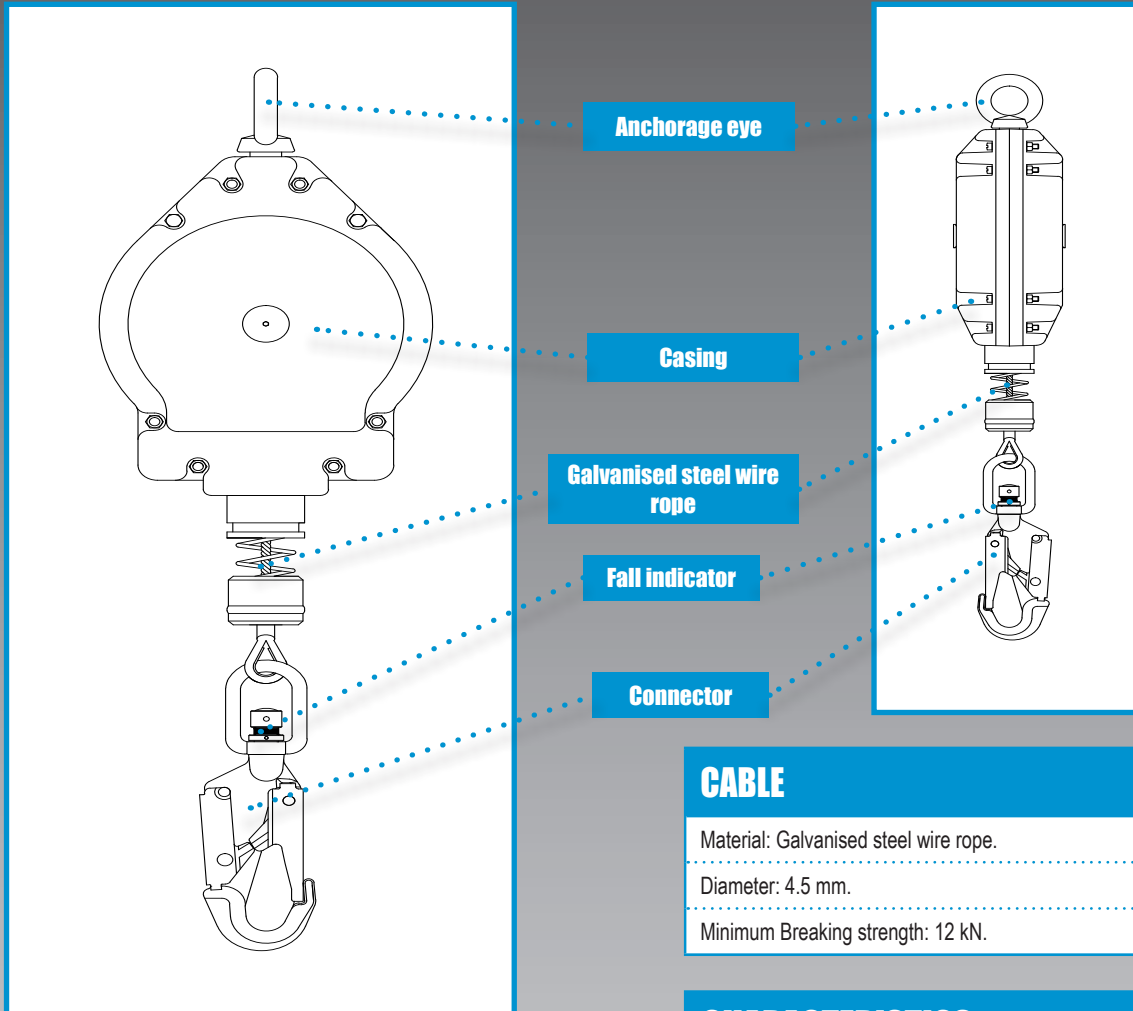
10 METERS

This range of retractable fall limiters are encased in nearly indestructible plastic to give them an edge on sites where they are used. The fall limiters have been tested rigorously in all types of situations.

TECHNICAL  
SPECIFICATION

HEIGHT SAFETY

FAR0706



## DIMENSIONS

Length: 10 meters.

Weight: 3885 g (+/- 20 g).

## CLEANING & MAINTENANCE

In case of minor soiling, wipe the equipment with a cotton cloth or soft brush. Do not use any abrasive material. For intensive cleaning wash in water at a temperature between 25°C to 50°C using a neutral detergent. It should be allowed to dry by itself and be kept away from open fires/flames or any other source of heat. Avoid direct sunlight.

The user should carry out a pre-use check of the Self Retractable Lifeline, to ensure that it is in a serviceable condition and operates correctly before it is used.

The pre-use check shall involve checking of any wear or abrasion on wire ropes/webbing and sign of corrosion if any on metal parts or any breakage of the casing.

## CABLE

Material: Galvanised steel wire rope.

Diameter: 4.5 mm.

Minimum Breaking strength: 12 kN.

## CHARACTERISTICS

Robust and durable plastic casing.

Swivel anchorage eye at anchorage end.

1 screw gate aluminium connector at the anchorage point.  
Gate opening: 22 mm. Conforms to EN362:2004 Class B.

Steel swivel snap hook with load indicator at the attachment point.  
Gate opening: 20 mm. Conforms to EN362:2004 Class T.

## CONFORMITY

EN 360: 2002 Rated to 140 kg

The lifespan of the product is 10 years from the date of manufacture subject to passing necessary checks and inspection by a competent person.

Static strength: 13 kN for 3 min.

Dynamic strength: 100 kg mass free fall of 600 mm with the breaking force of less than 6 kN & arrest distance less than 2 meters.

DISCLAIMER: Information presented within this technical specification was correct on date of issue. Information may be subject to change without notice as part of ongoing product improvement and development. To confirm any specific piece of information shown is current please email [technical@jpsafety.com](mailto:technical@jpsafety.com).



MANUFACTURING FOR SAFETY  
[WWW.JPSAFETY.COM](http://WWW.JPSAFETY.COM)

UKSALES@JSP.CO.UK  
TEL: +44 (0)1993 826050



Issued 18/11/2019-1